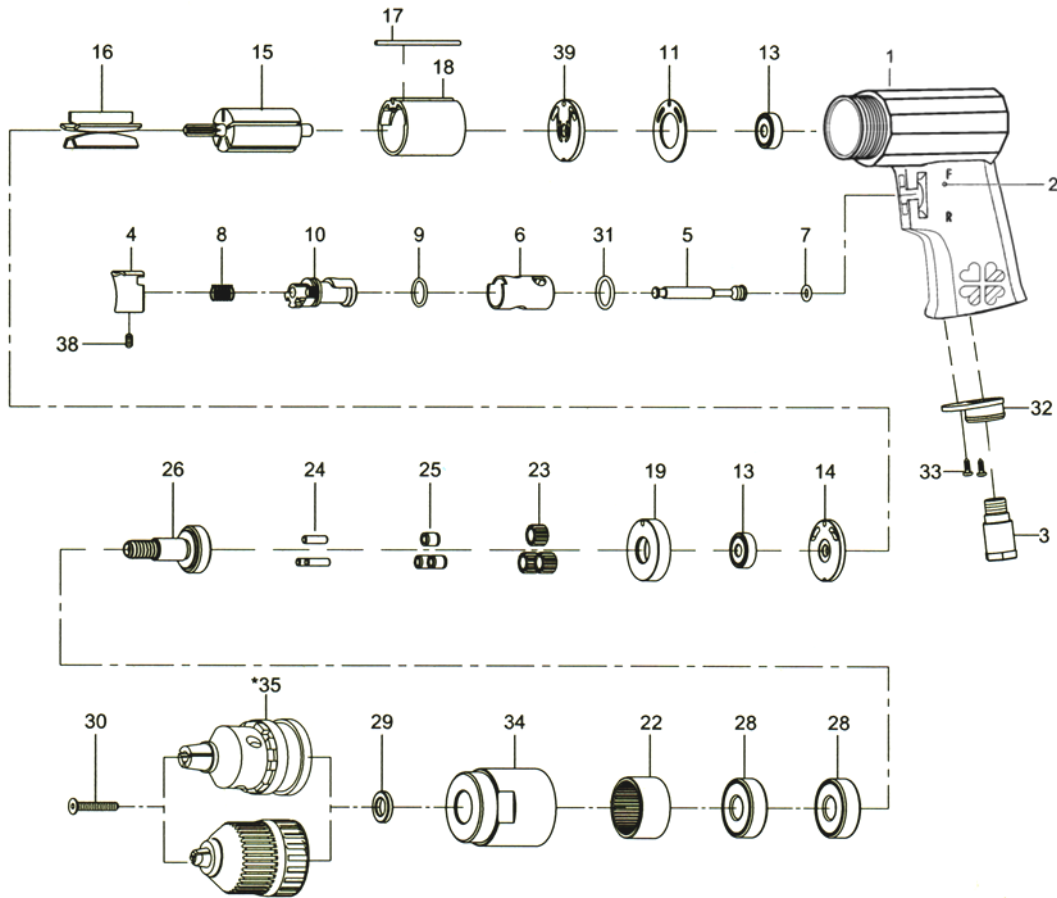




# BM2E 3/8" DRILL



<u>PARTS</u> <u>NO.</u>	<u>DESCRIPTION</u>	<u>PARTS</u> <u>NO.</u>	<u>DESCRIPTION</u>
01.	MOTOR HOUSING	19.	SPACER
02.	SPRING PIN	22.	INTERNAL GEAR
03.	AIR INLET	23.	PLANET GEAR (3)
04.	TRIGGER	24.	PIN (3)
05.	VALVE STEM	25.	NEEDLE BEARING (3)
06.	REVERSE BUSHING	26.	WORK SPINDLE
07.	O-RING	28.	BALL BEARING (2)
08.	VALVE SPRING	29.	WASHER
09.	O-RING	30.	SCREW
10.	REVERSE LEVER	31.	O-RING
11.	MOTOR GASKET	32.	EXHAUST DIFFUSER
13.	BALL BEARING (2)	33.	SCREW (2)
14.	END PLATE	34.	CLAMP NUT
15.	ROTOR	35A.	3/8" CHUCK
16.	ROTOR BLADES (5)	35B.	3/8" KEYLESS CHUCK
17.	SPRING PIN	38.	SET SCREW
18.	CYLINDER	39.	END PLATE



Ph: 1300 792 997 or +61 7 3272 7999

Fax: 1300 798 189 or +61 7 3272 7982

sales@air-allied.com.au www.air-allied.com.au